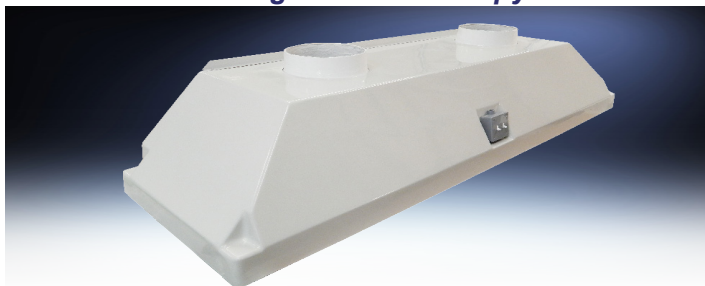


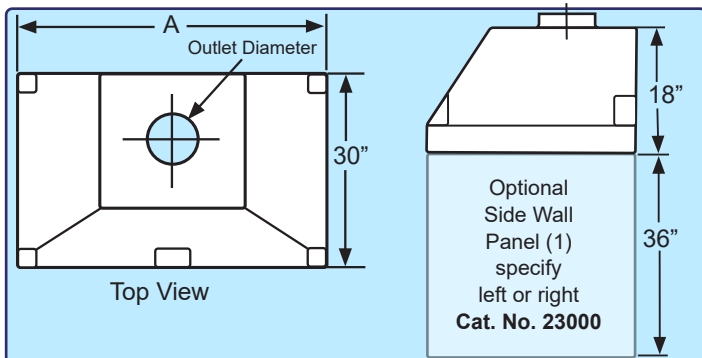
Canopy Hoods in Fiberglass or Stainless Steel

Canopy hoods are designed to collect and exhaust corrosive vapors, heat, steam, and odors when mounted over areas with water baths, hot plates, or portable equipment.

Fiberglass Wall Canopy



Fiberglass Canopy hoods are designed to collect and exhaust corrosive vapors, heat, steam, and odors when mounted over areas with water baths, hot plates, or portable equipment. Standard color: Silver Beige



Side Wall Panels (fiberglass or stainless steel) kit includes one wall panel and hardware
Cat. No. 23000

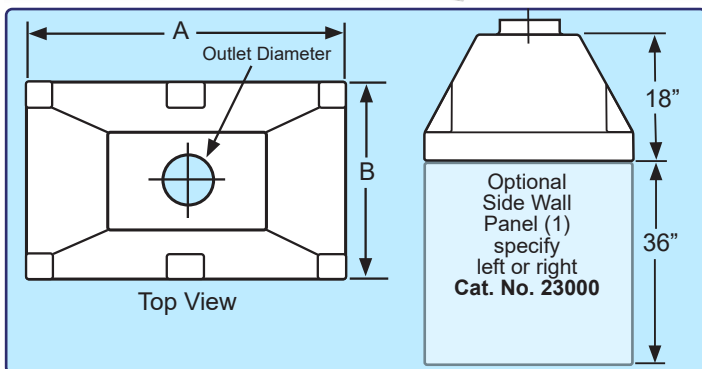
Rear Wall Panel (consult factory for details)

Blower Switch 115V/15A
Cat. No. 50028

Vapor Proof Light & Switch Cat. No. 50035

Width A	36"	48"	72"	96"	Side Wall Panels
Fiberglass Cat. No.	13030	13040	13060	13080	23000
Fiberglass Rear Wall Panel	23016	23026	23036	23046	--
Diameter D	6"	8"	10"	(2) 10"	--

Fiberglass Island Canopy



Suspended Island Canopy Hood Mounting Kit Includes all components to secure to ceiling including 6' long threaded rods.
Cat. No. 23001

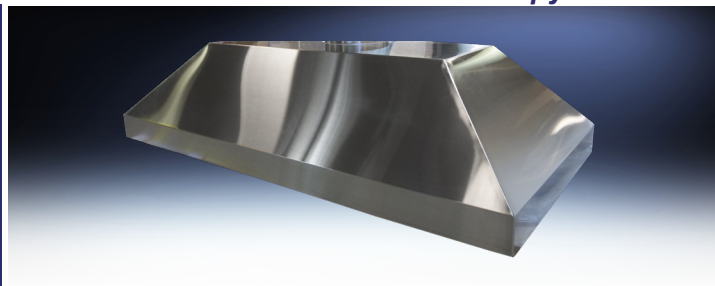
Side Wall Panels (fiberglass or stainless steel) kit includes one wall panel and hardware
Cat. No. 23000

Rear Wall Panel (consult chart for Cat.No.)

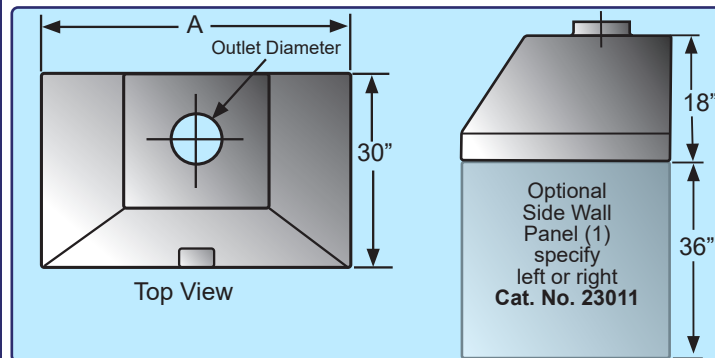
Vapor Proof Light & Switch Cat. No. 50035

Width A	36"	48"	72"	96"	Side Wall Panels
Fiberglass Cat. No.	23030	23040	23060	23080	23000
Fiberglass Rear Wall Panel	23016	23026	23036	23046	--
Diameter D	6"	8"	10"	(2) 10"	--

Stainless Steel Wall Canopy



Stainless Steel Canopy hoods are constructed of type 304 stainless steel and designed to exhaust heat, steam when mounted over water baths, hot plates, or portable equipment. In sizes 36", 48", 72", 96" wide.



Side Wall Panels (fiberglass or stainless steel) kit includes one wall panel and hardware
Cat. No. 23011

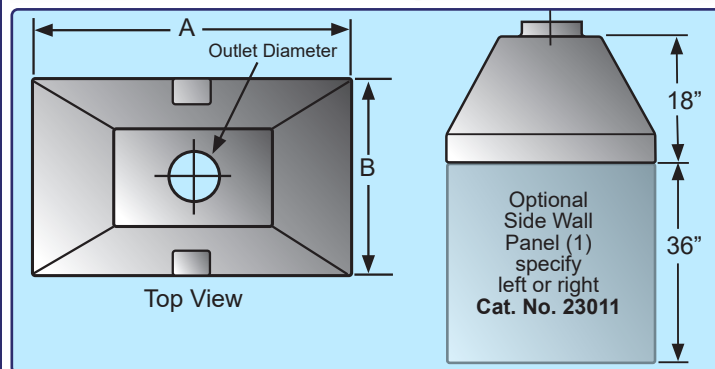
Rear Wall Panel (consult factory for details)

Blower Switch 115V/15A
Cat. No. 50028

Vapor Proof Light & Switch Cat. No. 50035

Width A	36"	48"	72"	96"	Side Wall Panels
Stainless Steel Cat No.	13130	13140	13160	13180	23011
Stainless Steel Rear Wall Panel	23116	23126	23136	23146	---
Diameter D	6"	8"	10"	(2) 10"	---

Stainless Steel Island Canopy



Suspended Island Canopy Hood Mounting Kit Includes all components to secure to ceiling including 6' long threaded rods.
Cat. No. 23001

Side Wall Panels (fiberglass or stainless steel) kit includes one wall panel and hardware
Cat. No. 23011

Blower Switch 115V/15A (blower not included)
Cat. No. 50027-2

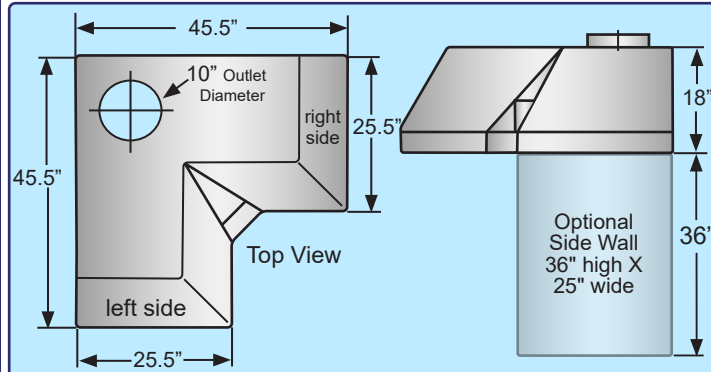
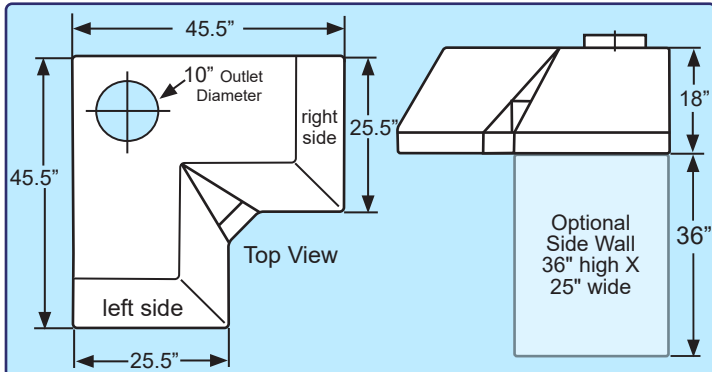
Width A	36"	48"	72"	96"	Side Wall Panels
Stainless Steel Cat No.	23130	23140	23160	23180	23011
Stainless Steel Rear Wall Panel	23116	23126	23136	23146	---
Diameter D	6"	8"	10"	(2) 10"	---

Canopy Hoods in Fiberglass or Stainless Steel

Canopy hoods can be used for storage of chemicals, freeing up space in fume hoods.

Corner Canopy (Fiberglass)

Corner Canopy (Stainless Steel)



Corner Canopy Hood & Wall Mounting Kit
Includes all components to secure the canopy hood to a wall. **Cat. No. 13000**

Corner Composite Resin Worksurface
Comes dished to contain spillage. **Cat. No. 13503**

Corner Table Features welded steel construction **Cat. No. 13502**

Rear Wall Panel (2) required
Qty (1) 36" high X 45" wide **Cat. No. 23056**

Side Wall Panels (fiberglass) 36" h X 25" w, kit includes one wall panel and hardware **Cat. No. 23006**

Blower Switch 115V/15A **Cat. No. 50028**

Corner Canopy Hood & Wall Mounting Kit
Includes all components to secure the canopy hood to a wall. **Cat. No. 13000**

Corner Composite Resin Worksurface
Comes dished to contain spillage. **Cat. No. 13503**

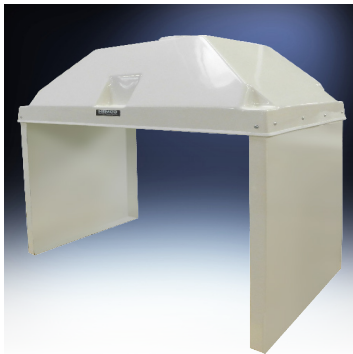
Corner Table Features welded steel construction **Cat. No. 13502**

Side Wall Panels (stainless steel) 36" h X 25" w, kit includes one wall panel and hardware **Cat. No. 23004**

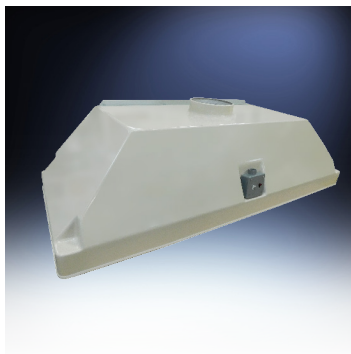
Blower Switch 115V/15A **Cat. No. 50027-2**

Custom Fiberglass Canopy Hoods

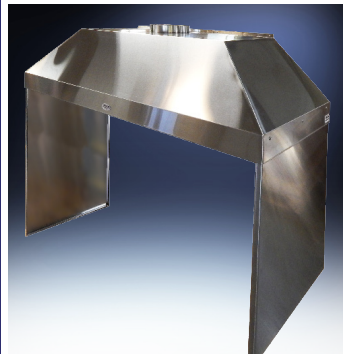
Custom Stainless Steel Canopy Hoods



Canopy with (2) side walls, for access from both sides.



Canopy with wall mounting brackets.



Canopy with (2) side walls, for access from both sides.



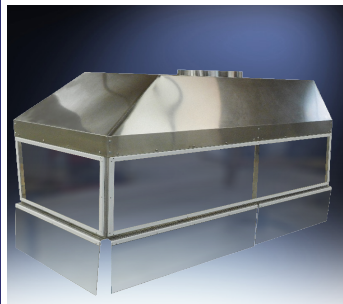
Canopy with rear and side walls, worksurface, and adjustable table.



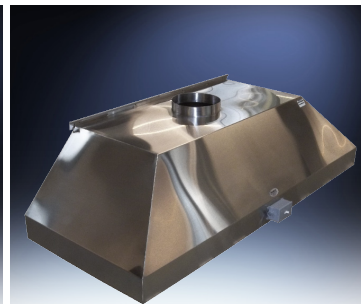
Corner Canopy with light, side walls and corner table unit.



Island Canopy with ducting and work table.



Canopy with Plexiglas sides, and hinged access panels.



48" wall canopy, with light switch.

HEMCO Corporation
711 S. Powell Road
Independence, MO 64056

HEMCO
Lab Planning Solutions

Email info@HEMCOcorp.com
Phone (816)796-2900
CANH-03.21

